

SHB-4300H1

Термокожух для установки корпусных камер



FC |  | CE | EAC

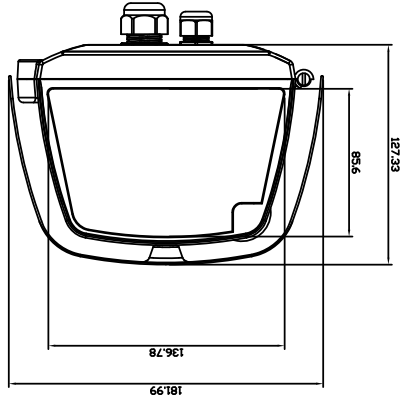
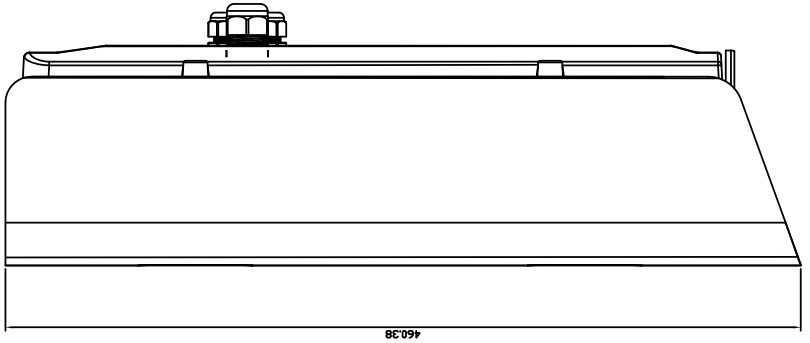
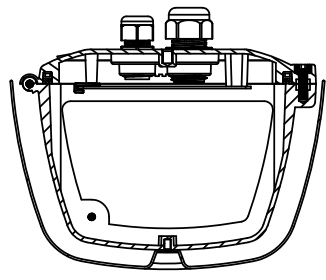
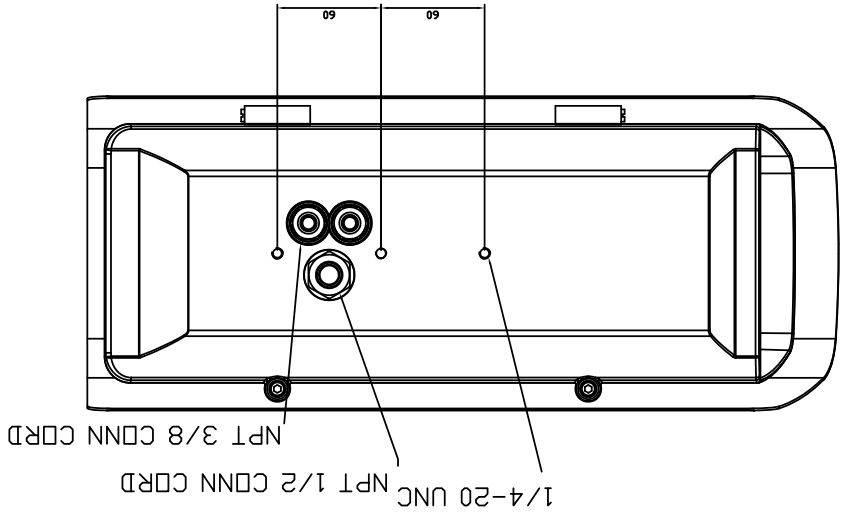
Key Features

- Для неподвижной камеры
- Конструкция из литого алюминия
- Кронштейн с полной кабельной разводкой
- Подогреватель для защиты от запотевания, вентилятор
- Поддержка трех кабельных вводов, IP66
- 24В ACSHB-4300H1 : корпус, защищенный от экстремальных погодных условий

Environmental	
Operating Temperature / Humidity	-50°C ~ +50°C (-58°F ~ +122°F) / Less than 90% RH
Fan/Heater	Support (Heater : 5°C ± 5°C on / Blower : 45°C ± 5°C on)
Certification	IP66, CE (Class A)
Electrical	
Input Voltage	24VAC
Power Consumption	55W AC FAN(2W) : 2W * 1EA AC HEATER(40W) : 20W * 2EA
Mechanical	
Color	Ivory
Material	Aluminum
Product dimensions / weight	Outside : 184(W)x127(H)x460(D)mm Inside : 91(W)x78(H)x190(D)mm
Pan / Tilt / Rotate Range	0°~360° / 0°~90°
Supported products	Box cameras (Network / Analog) ※ For further compatible models, please visit our website or use Toolbox

- The latest product information / specification can be found at hanwha-security.com
- Design and specifications are subject to change without notice.
- Wisenet is the proprietary brand of Hanwha Techwin, formerly known as Samsung Techwin.

SIZE		A0		SHEET 1 OF 1	
DATE		09/01/0#		MODEL NO. SHB-4300	
SCALE		M/M		TOLERANCE ±0.2	
DESIGN		王海豪		DESCRIPTION	
CHECK				EXTERNAL VIEW 外观图	
APPROVE				DRW.NO.	
MATERIAL		FINISH			

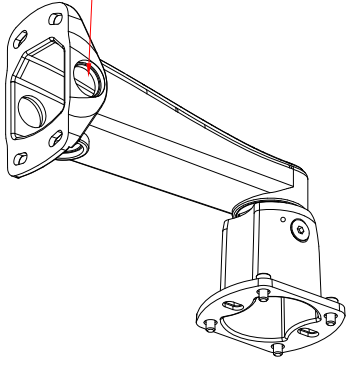
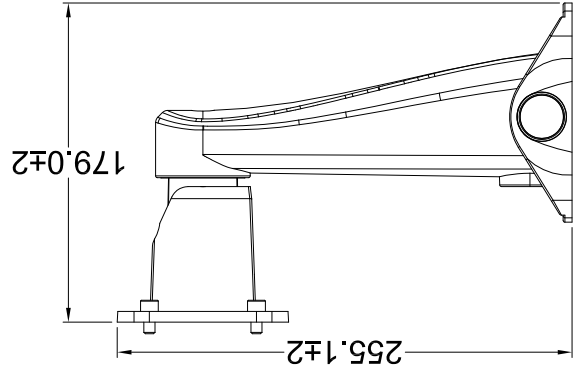
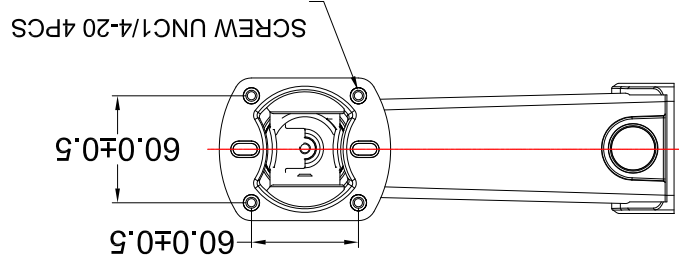
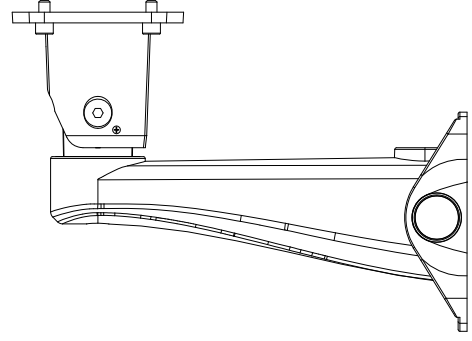


NO	DESCRIPTION	DESIGN	DATE

技术要求:

1、材质: ADC12 压铸铝, 表面处理 FINISH: 喷塑, 颜色: 乳白色

FILE NAME		MATERIAL		FINISH		DRW NO
SCALE		UNIT		TOLERANCE		APPROVE
1:1	M/M	王海莹		2009/03/04		DESCRIPTION
DATE		DESIGN		CHECK		EXTERNAL VIEW 外观图
2009/03/04		王海莹		/		MODEL NO.
KBR-070CC/CG		SIZE		A2		KBR-070CC/CG
SHEET 1 OF 1		KAVIS KEVIS ELECTRONICS INC.				



KBR-070CC SILICONE HOLE PLUG



KBR-070CC G3/4 AL HOLE PLUG

