

PND-A9081RF

4K сетевая купольная камера с ИК-подсветкой с искусственным интеллектом



Key Features

- Макс. разрешение 4K
- 0,05 лк при F1.6 (цветн.), 0 лк (Ч/Б, ИК светодиод вкл.)
- Дневной и ночной (с выдвижным ИК фильтром) режимы, WDR (120 дБ)
- Поддержка кодеков H.265, H.264, MJPEG, технологии WiseStream II
- Видеоаналитика на основе искусственного интеллекта
 - Обнаружение и классификация объектов (люди, лица, транспортные средства, номерные знаки)
 - Атрибуты, функция BestShot
- Совместимость с Wisenet Retail Insight v2.0 для бизнес-аналитики
 - Подсчет людей по возрасту/полу
 - Тепловая карта
 - Управление очередями
- Модульная конструкция для легкой установки
- Для использования функции Face Mask Detection требуется версия прошивки камеры v1.41.03 или более поздняя
- Системные требования
 - SSM v2.10.8 или более поздней версии, плагин Genetec v1.0 или более поздней версии, плагин Milestone v1.0.2 или более поздней версии, сетевой видеорегистратор (модели XRN-6410DB4/B4, XRN-3210B4)

Compatible Accessories (Optional)



AI Plug-in



SPB-FCD85W

Video	
Imaging Device	1/1.8" CMOS
Resolution	3840x2160, 3072x1728, 2592x1944, 2688x1520, 2560x1440, 2048x1536, 1920x1080, 1600x1200, 1280x1024, 1280x960, 1280x720, 1024x768, 800 x 600, 800 x 448, 720 x 576, 720x480, 640x480, 640x360
Max. Framerate	H.265/H.264: Max. 30fps/25fps(60Hz/50Hz) MJPEG: Max. 30fps/25fps(60Hz/50Hz)
Min. Illumination	Color: 0.05Lux(F1.6, 1/30sec) BW: 0.005Lux(F1.6, 1/30sec), 0Lux(IR LED on)
Video Out	CVBS: 1.0 Vp-p / 75Ω composite, 720x480(N), 720x576(P) for installation USB: Micro USB Type B, 1280x720 for installation
Lens	
Focal Length (Zoom Ratio)	4.5~10mm(2.2x) motorized varifocal
Max. Aperture Ratio	F1.6(Wide)~F2.65(Tele)
Angular Field of View	H:101.4°(Wide)~45.5°(Tele) / V:53.6°(Wide)~25.5°(Tele) / D:120.7°(Wide)~52.3°(Tele)
Min. Object Distance	0.5m(1.64ft)
Focus Control	Simple focus
Lens Type	DC auto iris, P iris
Pan / Tilt / Rotate	
Pan / Tilt / Rotate Range	0~360 / -45~85 / 0~355
Operational	
Camera Title	Displayed up to 85 characters
Day & Night	Auto(ICR)
Backlight Compensation	BLC, WDR, SDR
Digital Noise Reduction	SSNR V
Digital Image Stabilization	Stabilization Support(built-in gyro sensor)
Motion Detection	8ea, polygonal zones
Privacy Masking	6ea, rectangle zones - Color: Gray/Black/White
Gain Control	Low / Middle / High
White Balance	ATW / AWC / Manual / Indoor / Outdoor
LDC	Support
Electronic Shutter Speed	Minimum / Maximum / Anti flicker (1/5~1/12,000sec)
Video Rotation	Flip, Mirror, Hallway view(90/270)
Analytics	- Classified object type : Person/Face/Vehicle/License plate with attributes, BestShot per object - Analytics events based on AI engine : Object detection, Face mask detection, Directional detection, Digital auto tracking, Enter/Exit, Loitering, Virtual line, Social distancing detection - Analytics events : Defocus detection, Motion detection, Appear/Disappear, Tampering, Audio detection, Sound classification, Shock detection
Business Intelligence	People counting, Queue management, Heatmap based on AI engine
Alarm I/O	Input 1ea / Output 1ea / DC 12V Power(Max. 50mA) 1ea

Alarm Triggers	Analytics, Network disconnect, Alarm input
Alarm Events	File upload via FTP and e-mail Notification via e-mail SD/SDHC/SDXC or NAS recording at event triggers Alarm output Handover Audio playback
Audio In	Selectable(mic in/line in) Supply voltage: 2.5VDC(4mA), Input impedance: 2K Ohm
Audio Out	Line out, Max.output level: 1Vrms
IR Viewable Length	30m(98.42ft)
Network	
Ethernet	Metal shielded RJ-45(10/100/1000 BASE-T)
Video Compression	H.265/H.264: Main/High, MJPEG
Audio Compression	G.711 u-law /G.726 Selectable G.726(ADPCM) 8KHz, G.711 8KHz G.726: 16Kbps, 24Kbps, 32Kbps, 40Kbps AAC-LC: 48Kbps at 16KHz
Smart Codec	Manual(5ea area), WiseStream II
Bitrate Control	H.264/H.265: CBR or VBR MJPEG: VBR
Streaming	Unicast(6 users) / Multicast Multiple streaming(Up to 3 profiles)
Protocol	IPv4, IPv6, TCP/IP, UDP/IP, RTP(UDP), RTP(TCP), RTCP,RTSP, NTP, HTTP, HTTPS, SSL/TLS, DHCP, FTP, SMTP, ICMP, IGMP, SNMPv1/v2c/v3(MIB-2), ARP, DNS, DDNS, QoS, UPnP, Bonjour, LLDP, SRTP (TCP, UDP Unicast)
Security	HTTPS(SSL) Login Authentication Digest Login Authentication IP Address Filtering User access log 802.1X Authentication(EAP-TLS, EAP-LEAP) Device Certificate(Hanwha Techwin Root CA) Secure boot
Application Programming Interface	ONVIF Profile S/G/T SUNAPI(HTTP API) Wisenet open platform
General	
Webpage Language	English, French, German, Spanish, Italian, Chinese, Korean, Russian, Japanese, Swedish, Portuguese, Czech, Polish, Turkish, Dutch, Hungarian, Greek
Edge Storage	Micro SD/SDHC/SDXC 2slots 512GB
Memory	4096MB RAM, 512MB Flash
Environmental & Electrical	
Operating Temperature / Humidity	-25°C ~ +50°C (-13°F ~ +122°F) / Less than 90% RH
Storage Temperature / Humidity	-50°C ~ +60°C(-58°F ~ +140°F) / Less than 90% RH
Certification	IP52, IK10, Plenum rate
Input Voltage	PoE+(IEEE802.3at), 12VDC

Power Consumption	PoE+: Max 20.00W, typical 16.00W 12VDC: Max 17.70W, typical 14.00W
-------------------	---

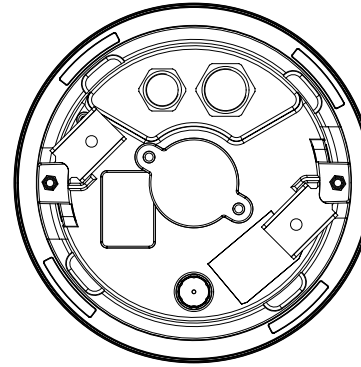
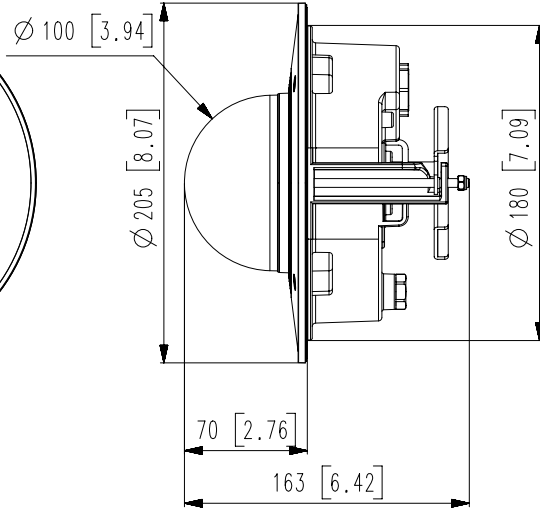
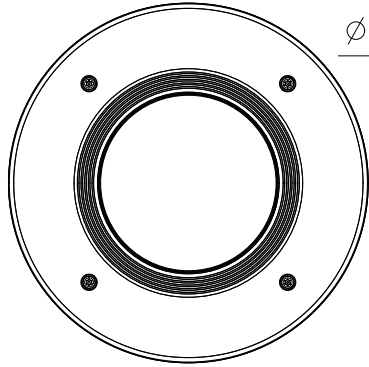
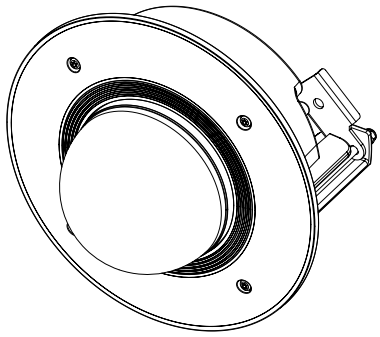
Mechanical

Color / Material	White / Aluminum
RAL Code	RAL9003
Product Dimensions / Weight	Ø205x163mm(8.07x4.92"), Weight : 1.95Kg (4.30lb)

DORI

Detect (25PPM/ 8PPF)	Wide: 62.9m(206.34ft) / Tele: 183m(600.33ft)
Observe (63PPM/ 19PPF)	Wide: 25.1m(82.34ft) / Tele: 73.3m(240.46ft)
Recognize (125PPM/ 38PPF)	Wide: 12.6m(41.33ft) / Tele: 36.6m(120.07ft)
Identify (250PPM/ 76PPF)	Wide: 6.3m(20.67ft) / Tele: 18.3m(60.03ft)

- The latest product information / specification can be found at hanwha-security.com
- Design and specifications are subject to change without notice.
- Wisenet is the proprietary brand of Hanwha Techwin, formerly known as Samsung Techwin.



16		
15		
14		
13		
12		
11		
10		
9		
8		
7		
6	XND-9082RF	19.12.18
5	XND-7082RF	19.12.18
4	XND-6082RF	19.12.18
3	PND-A7081RF	19.12.18
2	PND-A6081RF	19.12.18
1	PND-A9081RF	19.09.27
No.	MODEL NAME	DATE
Unit:mm[inch]		SCALE:1/1
© Hanwha Techwin		

© Hanwha Techwin Co.,Ltd. All rights reserved.