

QNE-6080RVW

2МП H.265 сетевая камера с плоским куполом и ИК-подсветкой



Key Features

- Макс. разрешение 2 Мп (1920 x 1080)
- 3,2–10 мм (3,1x), моторизованный вариофокальный объектив
- 0,2 лк при F1.6 (цветн.), 0 лк (Ч/Б)
- До 30 кад/с при 2 Мп (H.265 / H.264)
- Поддержка кодеков H.265, H.264, MJPEG, многоканальная передача видео
- Дневной и ночной режимы, WDR (120 дБ)
- Обнаружение внешнего воздействия, движения, расфокусировки
- Слот для карт памяти microSD / SDHC / SDXC (макс. 128 Гб)
- Функция обзора коридоров, поддержка WiseStream
- Дальность видимости с ИК подсветкой до 30 м
- Функция коррекции искажения объектива, технология PoE/12 В пост. тока

Compatible Accessories (Optional)



SBP-300HM5



SBP-300BW



SBP-300NBW



SBF-100B1



SBP-300LMW



SBP-300KMW



SBP-300LM



SBP-300CM



SBP-300PMW



SBP-300WMW1



SBP-300WM1



SBP-300WM



SBP-300HMW5



SBP-300CMW

Video	
Imaging Device	1/2.9" 2MP CMOS
Resolution	1920 x 1080, 1280 x 1024, 1280 x 960, 1280 x 720, 1024 x 768, 800 x 600, 720 x 576, 720 x 480, 640 x 480, 640 x 360, 320 x 240
Max. Framerate	H.265/H.264: Max. 30fps/25fps(60Hz/50Hz) MJPEG: Max. 15fps/12fps(60Hz/50Hz)
Min. Illumination	Color: 0.095Lux(F1.6, 1/30sec) BW: 0Lux(IR LED on)
Lens	
Focal Length (Zoom Ratio)	3.2~10mm(3.1x) motorized varifocal
Max. Aperture Ratio	F1.6(Wide)~F2.9(Tele)
Angular Field of View	H: 104.2°(Wide)~31.2°(Tele) / V: 55.1°(Wide)~17.5°(Tele) / H: 124.3°(Wide)~35.8°(Tele)
Focus Control	Simple focus
Pan / Tilt / Rotate	
Pan / Tilt / Rotate Range	0~350 / 0~70 / 0~355
Operational	
Camera Title	Displayed up to 20 characters
Day & Night	Auto(ICR)
Backlight Compensation	BLC, WDR, SDR
Wide Dynamic Range	120dB
Digital Noise Reduction	SSNR
Motion Detection	4ea, polygonal zones
Privacy Masking	6ea, rectangular zones
Gain Control	Low / Middle / High
White Balance	ATW / AWC / Manual / Indoor / Outdoor
LDC	Support
Electronic Shutter Speed	Minimum / Maximum / Anti flicker
Video Rotation	Flip, Mirror, Hallway view(90/270)
Analytics	Defocus detection, Motion detection, Tampering
Alarm I/O	Input 1ea / Output 1ea
Alarm Triggers	Analytics, Network disconnect, Alarm input
Alarm Events	File upload via FTP and e-mail Notification via e-mail SD/SDHC/SDXC or NAS recording at event triggers Alarm output
Audio In	Line in Supply voltage: 2.5VDC(4mA), Input impedance: 2K Ohm
IR Viewable Length	30m(98.42ft)
Network	

Ethernet	RJ-45(10/100BASE-T)
Video Compression	H.265/H.264, MJPEG
Audio Compression	G.711 u-law /G.726 Selectable G.726(ADPCM) 8KHz, G.711 8KHz G.726: 16Kbps, 24Kbps, 32Kbps, 40Kbps
Smart Codec	WiseStream I
Bitrate Control	H.264/H.265: CBR or VBR MJPEG: VBR
Streaming	Unicast(6 users) / Multicast Multiple streaming (Up to 3 profiles)
Protocol	IPv4, IPv6, TCP/IP, UDP/IP, RTP(UDP), RTP(TCP), RTCP, RTSP, NTP, HTTP, HTTPS, SSL/TLS, DHCP, FTP, SMTP, ICMP, IGMP, SNMPv1/v2c/v3(MIB-2), ARP, DNS, DDNS, QoS, PIM-SM, UPnP, Bonjour, LLDP
Security	HTTPS(SSL) Login Authentication Digest Login Authentication IP Address Filtering User access log 802.1X Authentication(EAP-TLS, EAP-LEAP)
Application Programming Interface	ONVIF Profile S/G SUNAPI(HTTP API)

General

Web Viewer	Supported OS: Windows 7, 8.1, 10, Mac OS X 10.10, 10.11, 10.12 Recommended Browser: Google Chrome Supported Browser: MS Explore11, MS Edge, Mozilla Firefox(Window 64bit only), Apple Safari(Mac OS X only)
Edge Storage	Micro SD/SDHC/SDXC 1slot 256GB (TBD)
Memory	256MB RAM , 256MB Flash

Environmental & Electrical

Operating Temperature / Humidity	-30°C ~ +55°C (-22°F ~ +131°F) / Less than 90% RH
Storage Temperature / Humidity	-30°C ~ +60°C (-22°F ~ +140°F) / Less than 90% RH
Certification	IP66, IK10
Input Voltage	PoE(IEEE802.3af, Class3), 12VDC
Power Consumption	PoE: Max 8.6W 12VDC: Max 7.7W

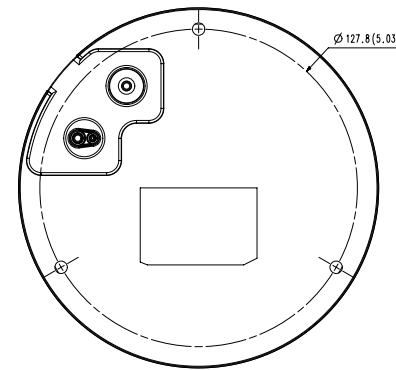
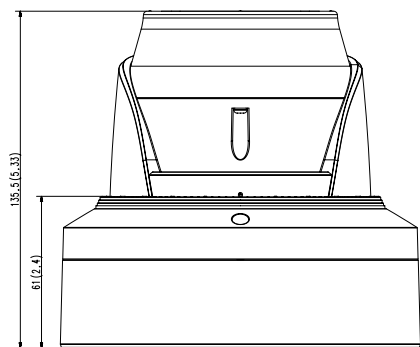
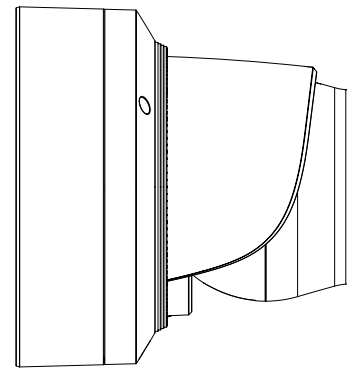
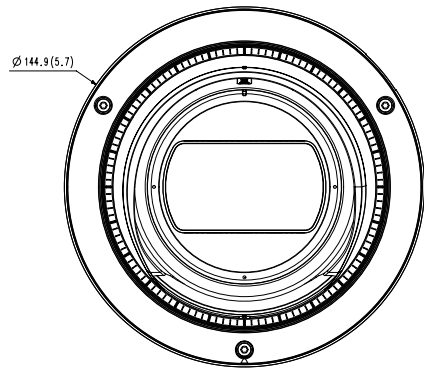
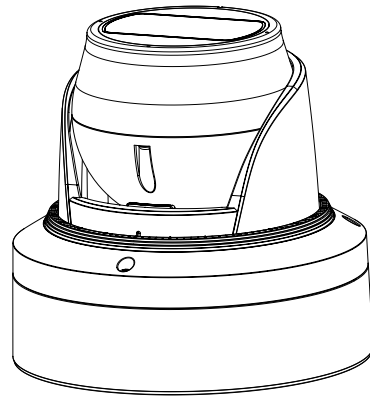
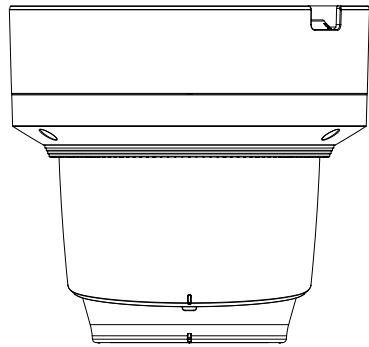
Mechanical

Color / Material	White / Aluminum
RAL Code	RAL9003
Product Dimensions / Weight	Ø144.9x135.5mm(Ø5.7x5.33"), 1.3Kg(2.87lb)

- The latest product information / specification can be found at hanwha-security.com
- Design and specifications are subject to change without notice.
- Wisenet is the proprietary brand of Hanwha Techwin, formerly known as Samsung Techwin.

단위:mm(인치)

NO	PART NAME	CODE NO.	MATERIAL	Q'TY	REMARK
1			MATERIAL	1	REMARK



STANDARD TOLERANCE

DIV	mm	mm	mm	mm	mm
0-10	±0.05	±0.1	±0.15	±0.2	±0.3
10-30	±0.05	±0.1	±0.15	±0.2	±0.3
30-50	±0.1	±0.15	±0.2	±0.3	±0.4
50-100	±0.15	±0.2	±0.3	±0.4	±0.5
100-1000	±0.2	±0.3	±0.4	±0.5	±0.6

A1
CHANGE

UNIT	MM	DESIGN	CHECK	APPROVAL	PART NAME
SCALE					MODEL NAME
Hanwha Techwin					CODE NO.