

# QNE-7080RVW

4МП H.265 сетевая камера с плоским куполом и ИК-подсветкой



## Key Features

- Макс. разрешение 4 Мп (2592 x 1520)
- 3,2–10 мм (3,1x), моторизованный вариофокальный объектив
- 0,2 лк при F1.6 (цветн.), 0 лк (Ч/Б)
- До 20 кад/с при 4 Мп (H.265 / H.264), 30 кад/с при 2 Мп
- Поддержка кодеков H.265, H.264, MJPEG, многоканальная передача видео
- Дневной и ночной режимы, WDR (120 дБ)
- Обнаружение внешнего воздействия, движения, расфокусировки
- Слот для карт памяти microSD / SDHC / SDXC (макс. 128 Гб)
- Функция обзора коридоров, поддержка WiseStream
- Дальность видимости с ИК подсветкой до 30 м
- Функция коррекции искажения объектива, технология PoE/12 В пост. тока

## Compatible Accessories (Optional)



SBP-300BW



SBP-300NBW



SBP-300LMW



SBP-300KMW



SBP-300PMW



SBP-300WMW1



SBP-300HM5



SBP-300TM1



SBF-100B1



SBP-300HMW5



SBP-300LM



SBP-300CM



SBP-300WM1



SBP-300WM

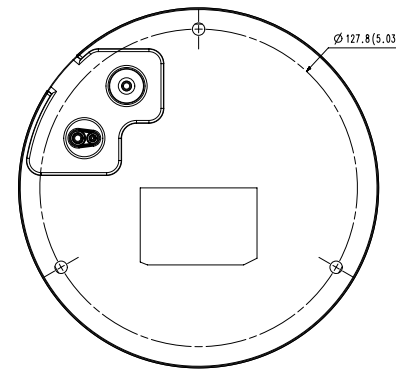
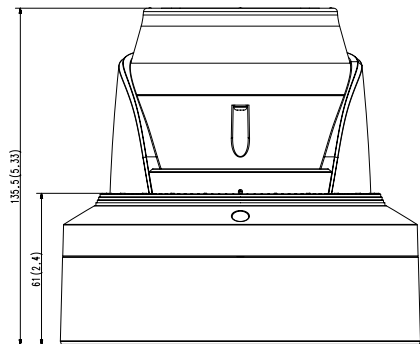
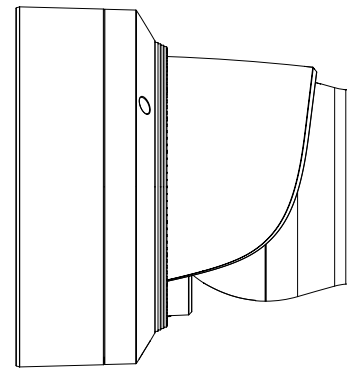
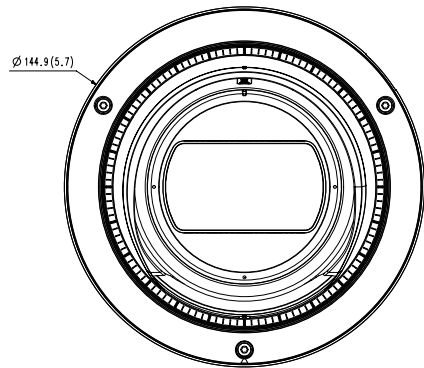
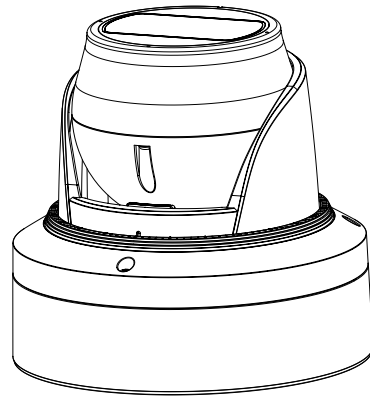
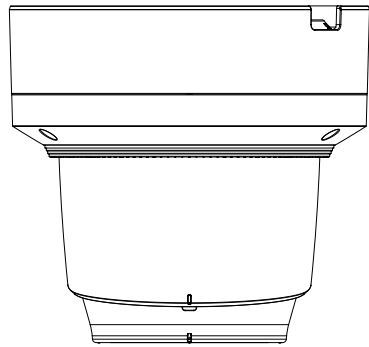
Video	
Imaging Device	1/3" 4MP CMOS
Resolution	2592 x 1520, 2560 x 1440 (16 : 9), 2304 x 1296, 1920 x 1080, 1280 x 1024, 1280 x 960, 1280 x 720, 1024 x 768, 800 x 600, 800 x 448, 720 x 576, 720 x 480, 640 x 480, 640 x 360, 320 x 240
Max. Framerate	H.265/H.264: Max. 30fps/25fps(60Hz/50Hz) MJPEG: Max. 15fps/12fps(60Hz/50Hz)
Min. Illumination	Color: 0.2Lux(F1.6, 1/30sec) BW: 0Lux(IR LED on)
Lens	
Focal Length (Zoom Ratio)	3.2~10mm(3.1x) motorized varifocal
Max. Aperture Ratio	F1.6(Wide)~F2.9(Tele)
Angular Field of View	H: 100°(Wide)~30.5°(Tele) / V: 55.7°(Wide)~18.3°(Tele) / H: 119.6°(Wide)~35.3°(Tele)
Focus Control	Simple focus
Pan / Tilt / Rotate	
Pan / Tilt / Rotate Range	0~350 / 0~70 / 0~355
Operational	
Camera Title	Displayed up to 20 characters
Day & Night	Auto(ICR)
Backlight Compensation	BLC, WDR, SDR
Wide Dynamic Range	120dB
Digital Noise Reduction	SSNR
Motion Detection	4ea, polygonal zones
Privacy Masking	6ea, rectangular zones
Gain Control	Low / Middle / High
White Balance	ATW / AWC / Manual / Indoor / Outdoor
LDC	Support
Electronic Shutter Speed	Minimum / Maximum / Anti flicker
Video Rotation	Flip, Mirror, Hallway view(90/270)
Analytics	Defocus detection, Motion detection, Tampering
Alarm I/O	Input 1ea / Output 1ea
Alarm Triggers	Analytics, Network disconnect, Alarm input
Alarm Events	File upload via FTP and e-mail Notification via e-mail SD/SDHC/SDXC or NAS recording at event triggers Alarm output
Audio In	Line in Supply voltage: 2.5VDC(4mA), Input impedance: 2K Ohm
IR Viewable Length	30m(98.42ft)

<b>Network</b>	
<b>Ethernet</b>	RJ-45(10/100BASE-T)
<b>Video Compression</b>	H.265/H.264, MJPEG
<b>Audio Compression</b>	G.711 u-law /G.726 Selectable G.726(ADPCM) 8KHz, G.711 8KHz G.726: 16Kbps, 24Kbps, 32Kbps, 40Kbps
<b>Smart Codec</b>	WiseStream I
<b>Bitrate Control</b>	H.264/H.265: CBR or VBR MJPEG: VBR
<b>Streaming</b>	Unicast(6 users) / Multicast Multiple streaming (Up to 3 profiles)
<b>Protocol</b>	IPv4, IPv6, TCP/IP, UDP/IP, RTP(UDP), RTP(TCP), RTCP, RTSP, NTP, HTTP, HTTPS, SSL/TLS, DHCP, FTP, SMTP, ICMP, IGMP, SNMPv1/v2c/v3(MIB-2), ARP, DNS, DDNS, QoS, PIM-SM, UPnP, Bonjour, LLDP
<b>Security</b>	HTTPS(SSL) Login Authentication Digest Login Authentication IP Address Filtering User access log 802.1X Authentication(EAP-TLS, EAP-LEAP)
<b>Application Programming Interface</b>	ONVIF Profile S/G SUNAPI(HTTP API)
<b>General</b>	
<b>Web Viewer</b>	Supported OS: Windows 7, 8.1, 10, Mac OS X 10.10, 10.11, 10.12 Recommended Browser: Google Chrome Supported Browser: MS Explore11, MS Edge, Mozilla Firefox(Window 64bit only), Apple Safari(Mac OS X only)
<b>Edge Storage</b>	Micro SD/SDHC/SDXC 1slot 256GB (TBD)
<b>Memory</b>	512MB RAM , 256MB Flash
<b>Environmental &amp; Electrical</b>	
<b>Operating Temperature / Humidity</b>	-30°C ~ +55°C (-22°F ~ +131°F) / Less than 90% RH
<b>Storage Temperature / Humidity</b>	-30°C ~ +60°C (-22°F ~ +140°F) / Less than 90% RH
<b>Certification</b>	IP66, IK10
<b>Input Voltage</b>	PoE(IEEE802.3af, Class3), 12VDC
<b>Power Consumption</b>	PoE: Max 8.6W 12VDC: Max 7.7W
<b>Mechanical</b>	
<b>Color / Material</b>	White / Aluminum
<b>RAL Code</b>	RAL9003
<b>Product Dimensions / Weight</b>	Ø144.9x135.5mm(Ø5.7x5.33"), 1.3Kg(2.87lb)

- The latest product information / specification can be found at [hanwha-security.com](http://hanwha-security.com)
- Design and specifications are subject to change without notice.
- Wisenet is the proprietary brand of Hanwha Techwin, formerly known as Samsung Techwin.

단위:mm(인치)

NO	PART NAME	CODE NO.	MATERIAL	Q'TY	REMARK
1			MATERIAL	1	REMARK



STANDARD TOLERANCE

DIV	mm	mm	mm	mm	mm
0-10	±0.05	±0.1	±0.15	±0.2	±0.3
10-30	±0.05	±0.1	±0.15	±0.2	±0.3
30-50	±0.1	±0.15	±0.2	±0.3	±0.4
50-100	±0.15	±0.2	±0.3	±0.4	±0.5
100-1000	±0.2	±0.3	±0.4	±0.5	±0.6

A1  
CHANGE

UNIT	MM	DESIGN	CHECK	APPROVAL	PART NAME
SCALE					MODEL NAME
Hanwha Techwin					CODE NO.