

QNV-6024RM

2МП камера в плоском корпусе с ИК-подсветкой



FC |  | CE | EAC

Key Features

- Макс. разрешение 2 Мп
- До 30 кад/с при 2 Мп (H.265 / H.264)
- 0,03 лк при F2.0 (цветн.), 0 лк (Ч/Б: ИК светодиод вкл.)
- Встроенный 3,6 мм объектив с постоянным фокусом
- Поддержка кодеков H.265, H.264, MJPEG
- Многоканальная передача видео
- Дневной и ночной (с выдвижным ИК фильтром) режимы, WDR (120 дБ)
- Слот для карт памяти SD/SDHC/SDXC (макс. 256 Гб)
- Дальность видимости с ИК подсветкой 15 м, IP66, IK10, NEMA4X
- Функция обзора коридоров, технология PoE, поддержка функции коррекции искажения объектива, соединение M12

| Video | |
|---------------------------|--|
| Imaging Device | 1/2.8" CMOS |
| Resolution | 1920x1080, 1280x960, 1280x720, 800x600, 800x448, 720x576, 720x480, 640x480, 640x360 |
| Max. Framerate | H.265/H.264: Max. 30fps/25fps(60Hz/50Hz) MJPEG: Max. 15fps/12fps(60Hz/50Hz) |
| Min. Illumination | Color: 0.03Lux(F2.0, 1/30sec) BW: 0Lux(IR LED on) |
| Video Out | CVBS: 1.0 Vp-p / 75Ω composite, 720x480(N), 720x576(P) for installation |
| Lens | |
| Focal Length (Zoom Ratio) | 3.6mm fixed focal |
| Max. Aperture Ratio | F2.0 |
| Angular Field of View | H: 94.8° / V: 49.3° / D: 114.3° |
| Min. Object Distance | 0.5m(1.64ft) |
| Focus Control | Fixed |
| Pan / Tilt / Rotate | |
| Pan / Tilt / Rotate Range | ±5° / 0°~67° / ±90° |
| Operational | |
| Camera Title | Displayed up to 15 characters |
| Day & Night | Auto(ICR) |
| Backlight Compensation | BLC, WDR, SDR |
| Wide Dynamic Range | 120dB |
| Digital Noise Reduction | SSNR |
| Motion Detection | 4ea, polygonal zones |
| Privacy Masking | 6ea, rectangular zones |
| Gain Control | Low / Middle / High |
| White Balance | ATW / AWC / Manual / Indoor / Outdoor |
| LDC | Support |
| Electronic Shutter Speed | Minimum / Maximum / Anti flicker (1/5~1/12,000sec) |
| Video Rotation | Flip, Mirror, Hallway view(90°/270°) |
| Analytics | Defocus detection, Directional detection, Motion detection, Enter/Exit, Tampering, Virtual line |
| Alarm Triggers | Analytics, Network disconnect |
| Alarm Events | File upload via FTP and e-mail Notification via e-mail SD/SDHC/SDXC or NAS recording at event triggers |
| Audio In | Selectable(mic in/line in/built-in mic) |
| Audio Out | Line out, Max.output level: 1Vrms |
| IR Viewable Length | 15m(49.21ft) |
| Network | |

| | |
|--|--|
| Ethernet | Metal shielded M12 (10/100BASE-T) |
| Video Compression | H.265/H.264: Main/Baseline/High, MJPEG |
| Audio Compression | G.711 u-law /G.726 Selectable G.726(ADPCM) 8KHz, G.711 8KHz G.726: 16Kbps, 24Kbps, 32Kbps, 40Kbps |
| Smart Codec | WiseStream II |
| Bitrate Control | H.264/H.265: CBR or VBR MJPEG: VBR |
| Streaming | Unicast(6 users) / Multicast Multiple streaming (Up to 3 profiles) |
| Protocol | IPv4, IPv6, TCP/IP, UDP/IP, RTP(UDP), RTP(TCP), RTCP, RTSP, NTP, HTTP, HTTPS, SSL/TLS, DHCP, FTP, SMTP, ICMP, IGMP, SNMPv1/v2c/v3(MIB-2), ARP, DNS, DDNS, QoS, UPnP, Bonjour, LLDP |
| Security | HTTPS(SSL) Login Authentication Digest Login Authentication IP Address Filtering User access Log 802.1X Authentication(EAP-TLS, EAP-LEAP) |
| Application Programming Interface | ONVIF Profile S/G/T SUNAPI(HTTP API) Wisenet open platform |

General

| | |
|-------------------------|---|
| Webpage Language | English, Korean, Chinese, French, Italian, Spanish, German, Japanese, Russian, Swedish, Portuguese, Czech, Polish, Turkish, Dutch |
| Edge Storage | Micro SD/SDHC/SDXC 1slot 128GB |
| Memory | 512MB RAM, 256MB Flash |

Environmental & Electrical

| | |
|---|--|
| Operating Temperature / Humidity | -30°C ~ +55°C(-22°F ~ +131°F) / Less than 90% RH |
| Storage Temperature / Humidity | -50°C ~ +60°C(-58°F ~ +140°F) / Less than 90% RH |
| Certification | IP66, IK10, NEMA4X EN55011:2009+A1:2010, EN50581:2012, EN50121-3-2:2015, EN61000-4-2:2009, EN61000-4-3:2006+A2:2010, EN61000-4-4:2012, EN61000-4-5:2014 EN61000-4-6:2009, EN50155:2017 EN45545-2, NFPA130, BSS7239, E-mark |
| Input Voltage | PoE(IEEE802.3af, Class3) |
| Power Consumption | PoE: Max 6.70W, typical 5.00W |

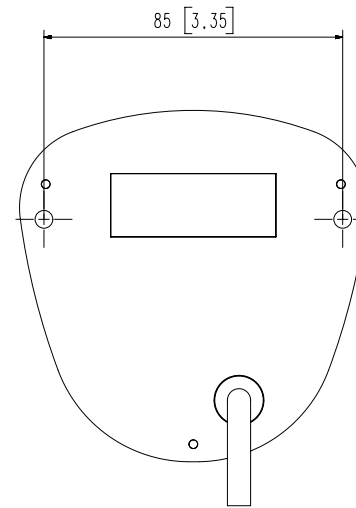
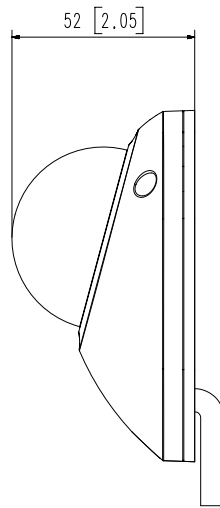
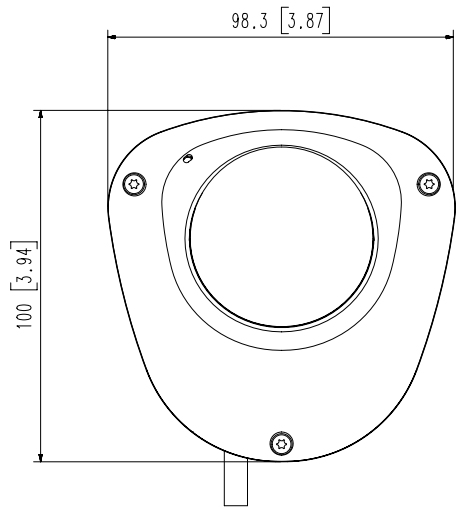
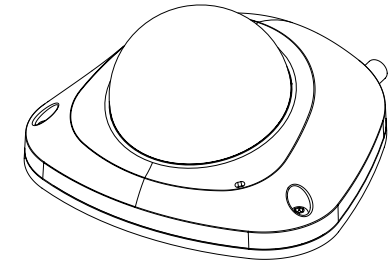
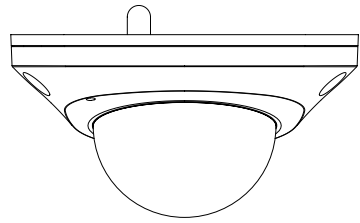
Mechanical

| | |
|------------------------------------|---|
| Color / Material | Ivory / Aluminum |
| Product Dimensions / Weight | 98.9x52.0x100.0mm(3.89x2.05x3.94"), 295g(0.65 lb) |

DORI

| | |
|----------------------------------|-----------------|
| Detect (25PPM/ 8PPF) | 35.3m(115.84ft) |
| Observe (63PPM/ 19PPF) | 14.1m(46.33ft) |
| Recognize (125PPM/ 38PPF) | 7.1m(23.17ft) |
| Identify (250PPM/ 76PPF) | 3.5m(11.58ft) |

- The latest product information / specification can be found at hanwha-security.com
- Design and specifications are subject to change without notice.
- Wisenet is the proprietary brand of Hanwha Techwin, formerly known as Samsung Techwin.



| | | |
|----------------|-------------|-----------|
| 3 | QNV-6024RM | '19.06.16 |
| 2 | XNV-6022RM | - |
| 1 | SNV-L6014RM | - |
| No. | MODEL NAME | DATE |
| Unit:mm[inch] | | SCALE:1/1 |
| Hanwha Techwin | | |

A2

© Hanwha Techwin Co., Ltd. All rights reserved.