

XND-8081REV

5МП сетевая купольная камера с ИК-подсветкой (PoE удлинитель)



Key Features

- Макс. разрешение 5 Мп
- Удлинитель PoE (главная камера, выдвижная камера)
- Выход PoE : макс. 12,95 Вт при 80 м
- 3,9–9,4 мм (2,4x), моторизованный вариофокальный объектив
- 0,07 лк при F1.3 (цветн.), 0 лк (Ч/Б, ИК светодиод вкл.)
- Дальность видимости с ИК-подсветкой 50 м
- Дневной и ночной (с выдвижным ИК фильтром) режимы, WDR (120 дБ)
- Функция обзора коридоров, поддержка WiseStream II
- Видео- и аудиоаналитика, воспроизведение аудио
- Бизнес-аналитика (подсчет людей, управление очередями, тепловая карта)
- Цифровая стабилизация изображения и обнаружение ударов с помощью встроенного гироскопического датчика
- Модульная конструкция, вх. PoE+ / вых. PoE
- IP52, IK10

Compatible Accessories (Optional)



SBP-300LMW



SBP-300KMW



SBP-300PMW



SBP-300BW



SBP-300CMW



SBP-300NBW



SBP-167HMW



SBP-300WMW1



SPB-IND85W



SBP-300WMW

Video	
Imaging Device	1/1.8" 6MP CMOS
Resolution	2560x1920, 2560x1440, 1920x1080, 1600x1200, 1280x1024, 1280x960, 1280x720, 1024x768, 800x600, 800x448, 720x576, 720x480, 640x480, 640x360, 320x240
Max. Framerate	H.265/H.264: Max. 30fps/25fps(60Hz/50Hz) MJPEG: Max. 30fps/25fps(60Hz/50Hz)
Min. Illumination	Color: 0.07Lux(F1.3, 1/30sec) BW: 0Lux(IR LED)
Video Out	CVBS: 1.0 Vp-p / 75Ω composite, 720x480(N), 720x576(P) for installation USB: Micro USB Type B, 1280x720 for installation
Lens	
Focal Length (Zoom Ratio)	3.9~9.4mm(2.4x) motorized varifocal
Max. Aperture Ratio	F1.3
Angular Field of View	H: 92.1(Wide)~38.7(Tele), V: 67.2(Wide)~29.0(Tele), D: 119.9(Wide)~48.6(Tele)
Min. Object Distance	0.5m(1.64ft)
Focus Control	Simple focus
Lens Type	DC auto iris, P iris
Pan / Tilt / Rotate	
Pan / Tilt / Rotate Range	0~360 / -45~85 / 0~355
Operational	
Camera Title	Displayed up to 85 characters
Day & Night	Auto(ICR)
Backlight Compensation	BLC, HLC, WDR, SSSR
Wide Dynamic Range	120dB
Digital Noise Reduction	SSNR V
Digital Image Stabilization	Support(built-in gyro sensor)
Defog	Support
Motion Detection	8ea, 8point polygonal zones
Privacy Masking	32ea, rectangular zones - Color: Grey/Green/Red/Blue/Black/White - Mosaic
Gain Control	Low / Middle / High
White Balance	ATW / AWC / Manual / Indoor / Outdoor
LDC	Support
Electronic Shutter Speed	Minimum / Maximum / Anti flicker (2~1/12,000sec)
Video Rotation	Flip, Mirror, Hallway view(90/270)
Analytics	Defocus detection, Directional detection, Fog detection, Face detection, Motion detection, Digital auto tracking, Appear/Disappear, Enter/Exit, Loitering, Tampering, Virtual line, Audio detection, Sound classification, Shock detection
Business Intelligence	People counting, Queue management, Heatmap

Alarm I/O	Input 1ea / Output 1ea
Alarm Triggers	Analytics, Network disconnect, Alarm input
Alarm Events	File upload via FTP and e-mail Notification via e-mail SD/SDHC/SDXC or NAS recording at event triggers Alarm output Handover Audio playback
Audio In	Selectable(Mic in/Line in/Built-in Mic) Supply voltage: 2.5VDC(4mA), Input impedance: 2K Ohm
Audio Out	Line out, Max. output level: 1Vrms
IR Viewable Length	50m(164.04ft)
Network	
Ethernet	Metal shielded RJ-45(10/100BASE-T)
Video Compression	H.265/H.264: Main/Baseline/High, MJPEG
Audio Compression	G.711 u-law /G.726 Selectable G.726(ADPCM) 8KHz, G.711 8KHz G.726: 16Kbps, 24Kbps, 32Kbps, 40Kbps AAC-LC: 48Kbps at 16KHz
Smart Codec	Manual(5ea area), WiseStream II
Bitrate Control	H.264/H.265: CBR or VBR MJPEG: VBR
Streaming	Unicast(20 users) / Multicast Multiple streaming(Up to 10 profiles)
Protocol	IPv4, IPv6, TCP/IP, UDP/IP, RTP(UDP), RTP(TCP), RTCP, RTSP, NTP, HTTP, HTTPS, SSL/TLS, DHCP, FTP, SMTP, ICMP, IGMP, SNMPv1/v2c/v3(MIB-2), ARP, DNS, DDNS, QoS, PIM-SM, UPnP, Bonjour, LLDP, SRTP
Security	HTTPS(SSL) Login Authentication Digest Login Authentication IP Address Filtering User access log 802.1X Authentication(EAP-TLS, EAP-LEAP) Device Certificate(Hanwha Techwin Root CA)
Application Programming Interface	ONVIF Profile S/G/T SUNAPI(HTTP API) Wisenet open platform
General	
Webpage Language	English, Korean, Chinese, French, Italian, Spanish, German, Japanese, Russian, Swedish,, Portuguese, Czech, Polish, Turkish, Dutch, Hungarian, Greek
Edge Storage	Micro SD/SDHC/SDXC 2slot 512GB
Memory	1024MB RAM, 256MB Flash
Environmental & Electrical	
Operating Temperature / Humidity	-25°C~-+60°C (-13°F~-+140°F) / Less than 90% RH
Storage Temperature / Humidity	-50°C~-+60°C (-58°F~-+140°F) / Less than 90% RH
Certification	IP52, IK10

Input Voltage	PoE+(IEEE802.3at, Class4)
Power Consumption	Max 25.5 W (Main CAM + Extension CAM) Typical 10.2W (Main CAM) * PoE Out: Max 12.95W at 80meters using CAT5/5E cable

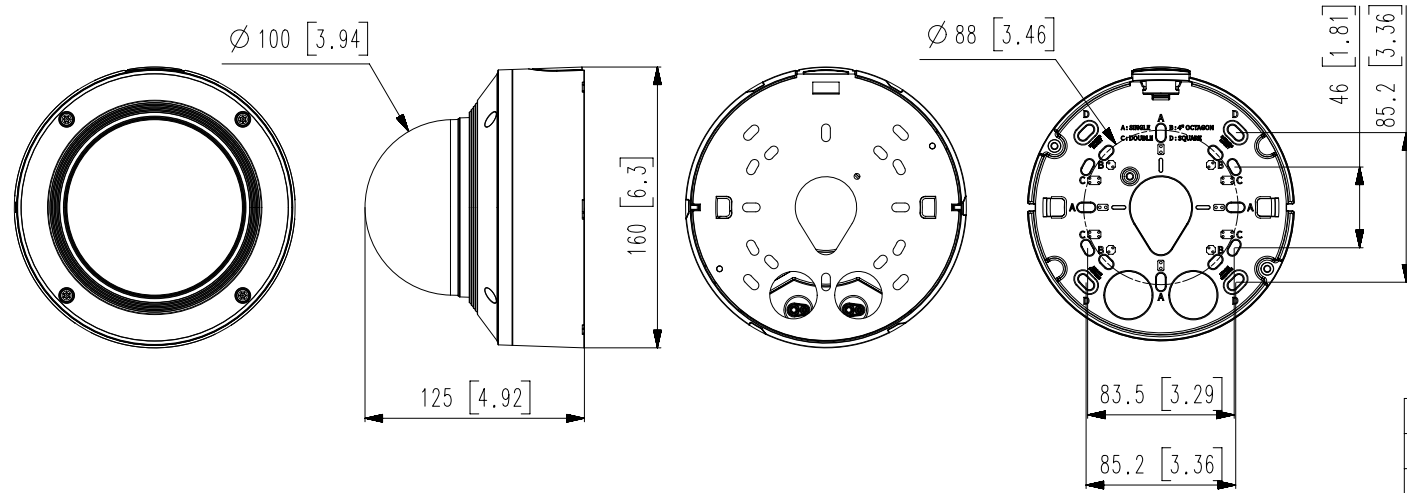
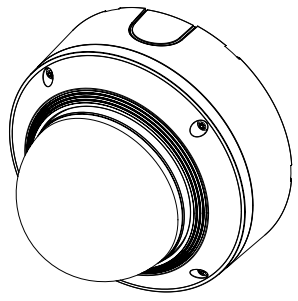
Mechanical

Color / Material	White / Aluminum
RAL Code	RAL9003
Product Dimensions / Weight	Ø160x125mm(6.30x4.92"), 1.45kg(3.20 lb)

DORI

Detect (25PPM/ 8PPF)	Wide: 49.4m(162.07ft) / Tele: 146m(479.00ft)
Observe (63PPM/ 19PPF)	Wide: 19.7m(64.63ft) / Tele: 58m(190.29ft)
Recognize (125PPM/ 38PPF)	Wide: 9.9m(32.48ft) / Tele: 29m(95.14ft)
Identify (250PPM/ 76PPF)	Wide: 4.9m(16.08.22ft) / Tele: 15m(49.21ft)

- The latest product information / specification can be found at hanwha-security.com
- Design and specifications are subject to change without notice.
- Wisenet is the proprietary brand of Hanwha Techwin, formerly known as Samsung Techwin.



16		
15		
14		
13	XND-9082RV	19.12.18
12	XND-7082RV	19.12.18
11	XND-6082RV	19.12.18
10	PND-A7081RV	19.12.18
9	PND-A6081RV	19.12.18
8	XND-8081REV	19.12.18
7	XND-6081REV	19.12.18
6	PND-A9081R	19.09.27
5	XND-8081RV	19.09.27
4	XND-6081RV	19.09.27
3	XND-6081V	19.09.27
2	XND-8081VZ	19.09.27
1	XND-6081VZ	19.09.27
No.	MODEL NAME	DATE
Unit:mm[inch] SCALE:1/1		Hanwha Techwin

© Hanwha Techwin Co.,Ltd. All rights reserved.