

XNV-6085

2МП H.265 сетевая камера (extraLUX)



Key Features

- Макс. разрешение 2 Мп (1920 x 1080)
- 4,1–16,4 мм (4x), моторизованный вариофокальный объектив
- 0,004 лк при F0.94 (цветн.), 0,0004 лк при F0.94 (Ч/Б)
- До 60 кад/с при любом разрешении (H.265 / H.264)
- Поддержка кодеков H.265, H.264, MJPEG, многоканальная передача видео
- Дневной и ночной (с выдвижным ИК фильтром) режимы, WDR (150 дБ), функция Defog
- Интеллектуальная видеоаналитика, обнаружение движения, передача данных на камеру PTZ
- Слот для карт памяти SD/SDHC/SDXC (макс. 512 ГБ)
- Функция обзора коридоров, поддержка WiseStream II
- IP67 / IP66, NEMA 4X, IK10
- Удаленное управление функцией PTRZ (ПАНОРАМИРОВАНИЕ/НАКЛОН/ПОВОРОТ/ЗУМИРОВАНИЕ) максимально увеличивает удобство регулировки угла

Compatible Accessories (Optional)



SBP-390WM2



SPB-VAN81



SBV-158G



SBP-300WM1



SBP-300B



SBP-300HM6



SBP-300KM



SBP-300LM



SBP-300WM



SHD-1600FPW



SBP-300CM



SBP-300PM



SBP-160TM

Video	
Imaging Device	1/2" 2MP CMOS
Resolution	1920x1080, 1280x1024, 1280x960, 1280x720, 1024x768, 800x600, 800x448, 720x576, 720x480, 640x480, 640x360, 320x240
Max. Framerate	H.265/H.264: Max. 60fps/50fps(60Hz/50Hz) MJPEG: Max. 30fps/25fps(60Hz/50Hz)
Min. Illumination	Color: 0.004Lux(F0.94, 1/30sec) BW: 0.0004Lux(F0.94, 1/30sec)
Video Out	CVBS: 1.0 Vp-p / 75Ω composite, 720x480(N), 720x576(P) for installation USB: Micro USB Type B, 1280x720 for installation
Lens	
Focal Length (Zoom Ratio)	4.1~16.4mm(4x) motorized varifocal
Max. Aperture Ratio	F0.94(Wide)~F2.4(Tele)
Angular Field of View	H: 100.0°(Wide)~26.2°(Tele) / V: 54°(Wide)~14.8°(Tele) / D: 116.0°(Wide)~30.0°(Tele)
Min. Object Distance	0.7m(2.30ft)
Focus Control	Simple Remote Control Focus via network(motorized V/F)
Lens Type	DC auto iris
Pan / Tilt / Rotate	
Pan / Tilt / Rotate Range	Remote adjustment (Max. 200cycles) -175°~175° / -73°~73° / -175°~175°
Operational	
Camera Title	Displayed up to 85 characters
Day & Night	Auto(ICR)
Backlight Compensation	BLC, HLC, WDR, SSSR
Wide Dynamic Range	150dB
Digital Noise Reduction	SSNR V
Digital Image Stabilization	Support
Defog	Support
Motion Detection	8ea, 8point polygonal zones
Privacy Masking	32ea, polygonal zones - Color: Grey/Green/Red/Blue/Black/White - Mosaic
Gain Control	Low / Middle / High
White Balance	ATW / AWC / Manual / Indoor / Outdoor
LDC	Support
Electronic Shutter Speed	Minimum / Maximum / Anti flicker (2~1/12,000sec)
Video Rotation	Flip, Mirror, Hallway view(90°/270°)
Analytics	Defocus detection, Directional detection, Fog detection, Face detection, Motion detection, Digital auto tracking, Appear/Disappear, Enter/Exit, Loitering, Tampering, Virtual line, Audio detection, Sound classification
Alarm I/O	Input 1ea / Output 1ea
Alarm Triggers	Analytics, Network disconnect, Alarm input

Alarm Events	File upload via FTP and e-mail Notification via e-mail SD/SDHC/SDXC or NAS recording at event triggers Alarm output DPTZ preset
Audio In	Selectable(mic in/line in) Supply voltage: 2.5VDC(4mA), Input impedance: 2K Ohm
Audio Out	Line out, Max.output level: 1Vrms
Network	
Ethernet	RJ-45(10/100BASE-T)
Video Compression	H.265/H.264: Main/Baseline/High, MJPEG
Audio Compression	G.711 u-law /G.726 Selectable G.726(ADPCM) 8KHz, G.711 8KHz G.726: 16Kbps, 24Kbps, 32Kbps, 40Kbps AAC-LC: 48Kbps at 16KHz
Smart Codec	Manual(5ea area), WiseStream II
Bitrate Control	H.264/H.265: CBR or VBR MJPEG: VBR
Streaming	Unicast(20 users) / Multicast Multiple streaming(Up to 10 profiles)
Protocol	IPv4, IPv6, TCP/IP, UDP/IP, RTP(UDP), RTP(TCP), RTCP,RTSP, NTP, HTTP, HTTPS, SSL/TLS, DHCP, FTP, SMTP, ICMP, IGMP, SNMPv1/v2c/v3(MIB-2), ARP, DNS, DDNS, QoS, PIM-SM, UPnP, Bonjour, LLDP, SRTP(Unicast)
Security	HTTPS(SSL) Login Authentication Digest Login Authentication IP Address Filtering User access log 802.1X Authentication(EAP-TLS, EAP-LEAP)
Application Programming Interface	ONVIF Profile S/G/T SUNAPI(HTTP API) Wisenet open platform
General	
Webpage Language	English, Korean, Chinese, French, Italian, Spanish, German, Japanese, Russian, Swedish,, Portuguese, Czech, Polish, Turkish, Dutch, Hungarian, Greek
Web Viewer	Supported OS: Windows 7, 8.1, 10, Mac OS X 10.10, 10.11, 10.12 Recommended Browser: Google Chrome Supported Browser: MS Explore11, MS Edge, Mozilla Firefox(Window 64bit only), Apple Safari(Mac OS X only)
Edge Storage	Micro SD/SDHC/SDXC 2slot 512GB
Memory	1024MB RAM, 256MB Flash
Environmental & Electrical	
Operating Temperature / Humidity	-40°C~+55°C(-40°F ~ +131°F) / Less than 90% RH * Start up should be done at above -35°C
Storage Temperature / Humidity	-40°C ~ +60°C (-40°F ~ +140°F) / Less than 90% RH
Certification	IP67, IP66, NEMA4X, IK10
Input Voltage	PoE(IEEE802.3af, Class3), 12VDC, 24VAC

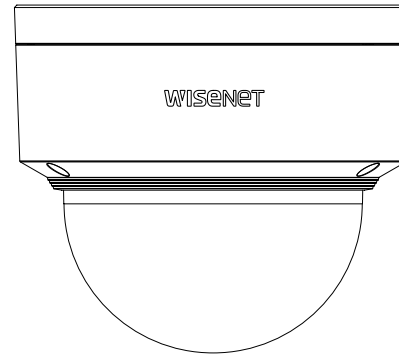
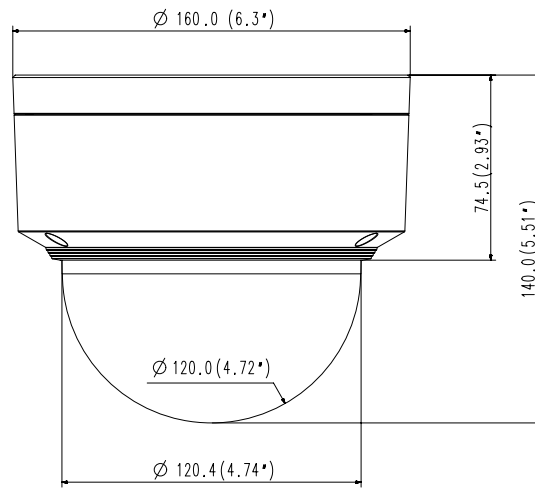
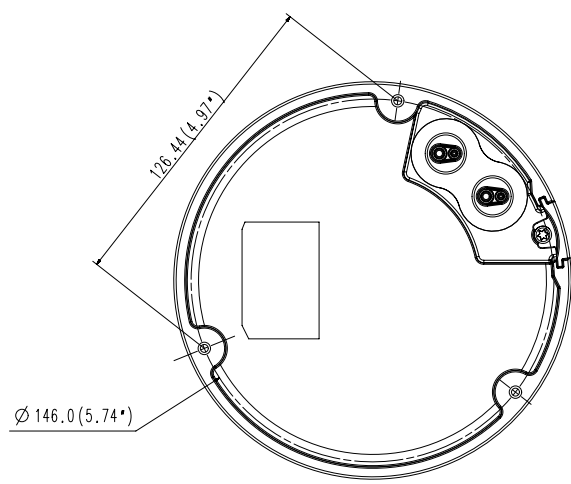
Power Consumption	PoE : Max 12.1W 12VDC : Max. 11.1W 24VAC : Max. 13.5W
--------------------------	---

Mechanical

Color / Material	Ivory / Aluminum
Product Dimensions / Weight	Ø160x140.0mm(6.3"x5.51"), 1.40kg(3.09 lb)

- The latest product information / specification can be found at hanwha-security.com
- Design and specifications are subject to change without notice.
- Wisenet is the proprietary brand of Hanwha Techwin, formerly known as Samsung Techwin.

XNV-6085



Unit : mm (inch)

