

XNV-6120RSA

2МП сетевая нержавеющая с ИК-подсветкой вандалозащищенная купольная камера



FC |  | CE | EAC

Key Features

- Макс. разрешение 2 Мп (1920 x 1080)
- 5,2 - 62,4 мм (оптический зум 12x), моторизированный вариофокальный объектив
- До 60 кад/с при любом разрешении (H.265 / H.264)
- Поддержка кодеков H.265, H.264, MJPEG, многоканальная передача видео
- Дневной и ночной (с выдвижным ИК фильтром) режимы, WDR (150 дБ), функция Defog
- Обнаружение праздноватания, направления движения, внешнего воздействия, аудио, цифровое автоматическое слежение, обнаружение тумана, распознавание звуков по типам
- Обнаружение движения, передача данных на PTZ камеру
- Два слота для карт памяти SD/SDHC/SDXC (макс. 512 Гб)
- Функция обзора коридоров, поддержка WiseStream II
- Дальность видимости с ИК-подсветкой 70 м (229,66 фута)
- IP66, IP6K9K, IK10+, NEMA4X
- Функция коррекции искажения объектива, поддержка технологии PoE

Video	
Imaging Device	1/2.8" CMOS
Resolution	1920x1080, 1280x1024, 1280x960, 1280x720, 1024x768, 800x600, 800x448, 720x576, 720x480, 640x480, 640x360, 320x240
Max. Framerate	H.265/H.264: Max. 60fps/50fps(60Hz/50Hz) MJPEG: Max. 30fps/25fps(60Hz/50Hz)
Min. Illumination	Color : 0.03 lux(F1.6, 1/30sec) B/W : 0 lux(IR LED On)
Video Out	CVBS : 1.0 Vp-p / 75Ω composite, 720x480(N), 720x576(P), for installation USB : Micro USB type B, 1280x720 for installation
Lens	
Focal Length (Zoom Ratio)	5.2~62.4mm (Optical 12X) motorized varifocal
Max. Aperture Ratio	1.6(Wide) ~ 3.0(Tele)
Angular Field of View	H : 54.58°(Wide) ~ 5.30°(Tele) V : 32.19°(Wide) ~ 3.00°(Tele) D : 61.40°(Wide) ~ 6.06°(Tele)
Min. Object Distance	2.1m (6.89ft)
Focus Control	Auto / Manual / Oneshot AF
Lens Type	DC Auto Iris
Mount Type	Board-in type
Pan / Tilt / Rotate	
Pan / Tilt / Rotate Range	0° ~ 354° / 0° ~ 75° / 0° ~ 355°
Operational	
Camera Title	Displayed up to 85 characters
Day & Night	Auto(ICR)
Backlight Compensation	BLC / HLC(Masking/Dimming) / WDR
Wide Dynamic Range	150dB
Digital Noise Reduction	SSNR5 (2D+3D Noise Filter)
Digital Image Stabilization	Support(built-in gyro sensor)
Defog	Support
Motion Detection	8ea, 8 point polygonal zones
Privacy Masking	32ea, polygonal zones - Color : Gray, Green, Red, Blue, Black, White - Mosaic
Gain Control	Low / Middle / High
White Balance	ATW / AWC / Manual / Indoor / Outdoor
LDC	Support
Electronic Shutter Speed	Minimum / Maximum / Anti flicker (2~1/12,000sec)
Video Rotation	Flip, Mirror, Hallway view(90°/270°)
Analytics	Tampering, Loitering, Directional Detection, Defocus Detection, Fog Detection, Virtual Line, Enter/Exit, Appear / Disappear, Audio Detection, Face Detection, Motion Detection, Digital Auto Tracking, Sound Classification

Alarm I/O	Input 1ea / Output 1ea
Alarm Triggers	Alarm Input, Motion Detection, Video & Audio Analytics, Network Disconnect
Alarm Events	File upload via FTP, E-Mail Notification via E-Mail Local storage(SD/SDHC/SDXC) or NAS recording at Event (Alarm Triggers) External output DPTZ preset
Audio In	Selectable (Mic IN/Line IN) Supply voltage: 2.5VDC(4mA), Input impedance: approx. 2K Ohm
Audio Out	Line out, Max output level: 1 Vrms
IR Viewable Length	70m(229.66ft)
Network	
Ethernet	RJ-45 (10/100BASE-T)
Video Compression	H.265/H.264 (MPEG-4 Part 10/AVC) : Main/Baseline/High MJPEG
Audio Compression	G.711 μ -law /G.726 Selectable G.726 (ADPCM) 8KHz, G.711 8KHz G.726 : 16Kbps, 24Kbps, 32Kbps, 40Kbps AAC-LC : 48Kbps at 8/16/32/48KHz
Smart Codec	Manual mode(Area-based : 5ea)
Bitrate Control	H.264/H.265 : CBR or VBR MJPEG : VBR
Streaming	Unicast(20 users) / Multicast Multiple streaming(Up to 10 profiles)
Protocol	TCP/IP, UDP/IP, RTP(UDP), RTP(TCP), RTCP, RTSP, NTP, HTTP, HTTPS, SSL/TLS, DHCP, PPPoE, FTP, SMTP, ICMP, IGMP, SNMPv1/v2c/v3(MIB-2), ARP, DNS, DDNS, QoS, PIM-SM, UPnP, Bonjour
Security	HTTPS(SSL) Login Authentication Digest Login Authentication IP Address Filtering User access Log 802.1x Authentication (EAP-TLS, EAP-LEAP)
Application Programming Interface	ONVIF Profile S/G SUNAPI(HTTP API) Open Platform
General	
Webpage Language	English, Korean, French, German, Spanish, Italian, Chinese, Russian, Japanese, Swedish, Portuguese, Czech, Polish, Turkish, Dutch, Hungarian, Greek
Edge Storage	SD/SDHC/SDXC 2slot (up to 512 GB) NAS(Network Attached Storage) Local PC for Instant Recording
Environmental & Electrical	
Operating Temperature / Humidity	-40°C ~ +55°C (-40°F ~ +131°F) / Less than 90% RH *Start up should be done at above -35°C(-31°F)
Storage Temperature / Humidity	-50°C ~ +60°C (-58°F ~ +140°F) / Less than 90% RH
Certification	IP66, NEMA 4X, IP6K9K, IK10+
Input Voltage	Max. 11.5W (12VDC), Max. 12.95W (PoE), Max. 14W (24VAC)

Power Consumption	PoE : Max. 12.95W
	12VDC : Max. 11.5W
	24VAC : Max. 14W

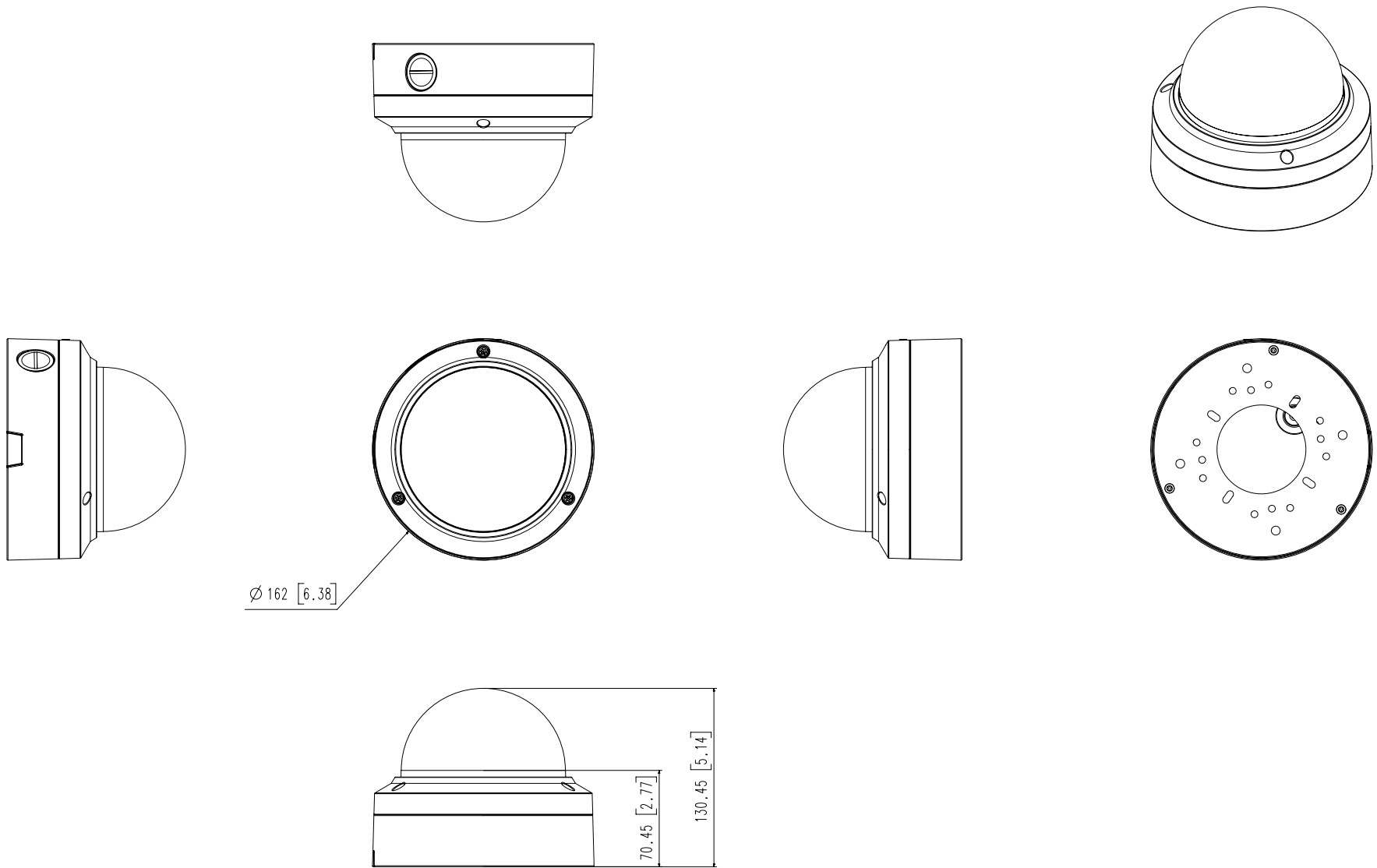
Mechanical

Color / Material	Silver / SUS316L
Product Dimensions / Weight	Ø 162 X H134.5mm (Ø6.38" x 5.3"), 2.7Kg

DORI

Detect (25PPM/ 8PPF)	Wide: 74.4m(244.19ft) / Tele: 829.7m(2,721.97ft)
Observe (63PPM/ 19PPF)	Wide: 29.8m(97.68ft) / Tele: 331.9m(1,088.79ft)
Recognize (125PPM/ 38PPF)	Wide: 14.9m(48.84ft) / Tele: 165.9m(544.39ft)
Identify (250PPM/ 76PPF)	Wide: 7.4m(24.42ft) / Tele: 83m(272.2ft)

- The latest product information / specification can be found at hanwha-security.com
- Design and specifications are subject to change without notice.
- Wisenet is the proprietary brand of Hanwha Techwin, formerly known as Samsung Techwin.



2	파생 MODEL1	XNV-6120RSA
1	BASIC MODEL	'18.05.08
No.	MODEL NAME	XNV-6120RS
Unit:mm[inch]		SCALE:1/1
Hanwha Techwin		